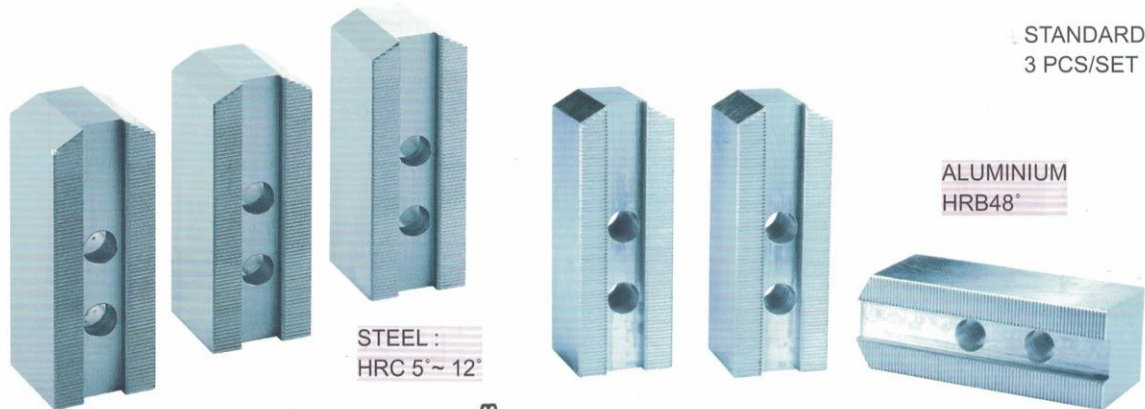


SOTT JAW For Hydraulic Power Chucks

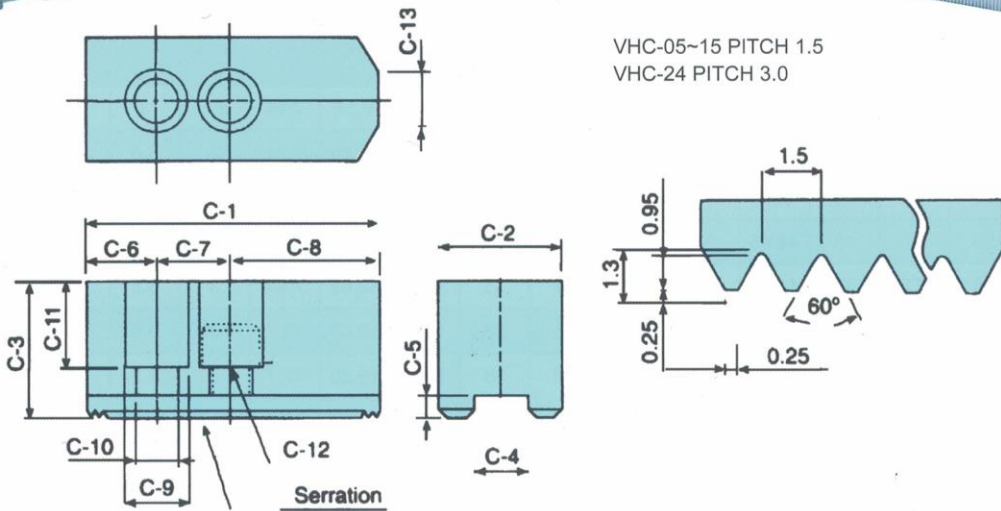
For Japanese brand JIS & KITAGAWA



STANDARD
3 PCS/SET

STEEL :
HRC 5°~ 12°

ALUMINIUM
HRB48°



VHC-05~15 PITCH 1.5
VHC-24 PITCH 3.0

MATERIAL: STEEL

Unit:mm

Dim Order No.	C-1	C-2	C-3	C-4	C-5	C-6	C-7	C-8	C-9	C-10	C-11	C-12	C-13	Weight (kgs)	CODE NO.
VHC-05	62	25	30	10	5	9	14	39	13.5	9	21	M8	5	0.9	5002-330
VHC-06	73	31	36	12	5	15	20	38	17	11	23	M10	14	1.6	5002-331
VHC-08	95	35	37	14	5	24	25	46	19	13	22	M12	16	2.4	5002-332
VHC-10	110	40	42	16	5	30	30	50	19	13	27	M12	18	3.7	5002-333
VHC-12	130	50	50	21	5	39	30	61	25	17	30	M16	23	6.4	5002-334
VHC-15	165	62	62	22	8	37	43	85	32	21	38	M20	-	12.7	5002-335
VHC-12-1	130	50	50	18	5	39	30	61	23	15	30	M14	23	6.25	5002-336
VHC-15-1	165	62	62	25.5	5	37	43	85	32	21	38	M20	-	13	5002-337
VHC-24	180	64	70	25	9	40	60	80	32	21	45	M20	-	17	5002-338

MATERIAL: ALUMINIUM

Dim Order No.	C-1	C-2	C-3	C-4	C-5	C-6	C-7	C-8	C-9	C-10	C-11	C-12	C-13	Weight (kgs)	CODE NO.
VHC-5AL	62	25	30	10	5	10	14	38	14	9	20	M8	3		5002-245A
VHC-6AL	73	31	36	12	5	15	20	38	17	11	23	M10	14		5002-246A
VHC-8AL	95	35	37	14	5	24	25	46	19	13	22	M12	16	0.84	5002-250A
VHC-10AL	110	40	42	16	5	30	30	50	19	13	27	M12	18	1.31	5002-251A
VHC-12AL	130	50	50	21	5	40	30	60	25	17	30	M16	23		5002-247A
VHC-15AL	165	62	62	22	8	37	43	85	32	21	37	M20	-		5002-248A
VHC-24AL	180	64	70	25	9	40	60	80	32	21	45	M20	-		5002-249A